



## HOW TO TRIGGER 2 DEVICES FROM A SINGLE 12V OUTPUT.

If your amplifier or projector has one 12V output and you want to trigger 2 devices, here's a short manual that tells you how to do this.

### Why triggering 2 devices is a great idea.

If there's one thing that separates a basic cinema from the jaw-dropping one, it's the degree of automation. Automated devices, triggered actions and macros make a big impression to anyone who sees it in action.

While a 12V trigger on your projector or amplifier can't achieve it all, it can add a degree of automation that impresses yet at the same time saves you from spending big time on the full works.

Here are a few scenarios where the 12V trigger out makes your life a lot easier and your home cinema all the more impressive:

- Projector triggers the projector lift and the projection screen to drop down allowing you to perfectly hide both.
- Projector triggers the black out blinds and projection screen to drop
- Amplifier triggers the projection screen and projector lift to drop

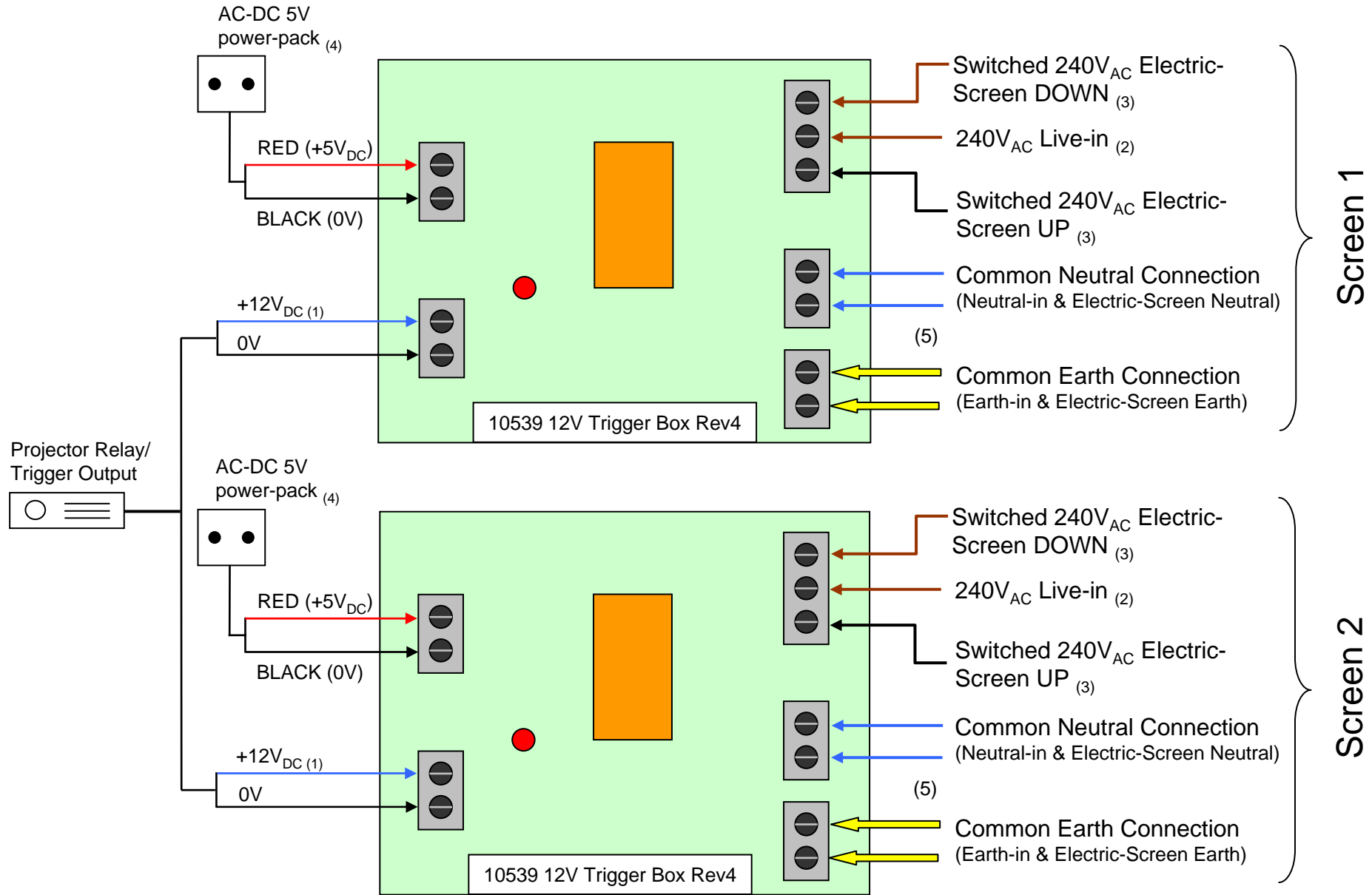
### What you need to make this work.

If you want to this set-up to work you need the following:

- A device with a 12V trigger output. This can be either a projector or an amplifier
- 2 12V trigger modules (item# 10539)
- 2 dual-wire cables to carry the +12V signal. These cables need to be of good quality to prevent voltage loss

Follow the wiring diagram on the next page for the correct wiring instructions. In case of any problems or issues, please contact us at [info@beamax.com](mailto:info@beamax.com) or on +32-11403090

# 10539 12V Trigger Box: Electric-Screen Controller – For Two Electric-Screens



NOTES:  
For description on notes download the 10539 12V trigger box manual from [www.beamax.com](http://www.beamax.com).

Sept, 2008 – Rev4v2 - modified  
[info@beamax.com](mailto:info@beamax.com)