



# **R-SERIES ELECTRIC PROJECTION SCREENS**

**THE EASIEST TO INSTALL AND MOST  
COMPLETE ELECTRIC PROJECTION SCREEN**



# R-SERIES ELECTRIC PROJECTION SCREENS

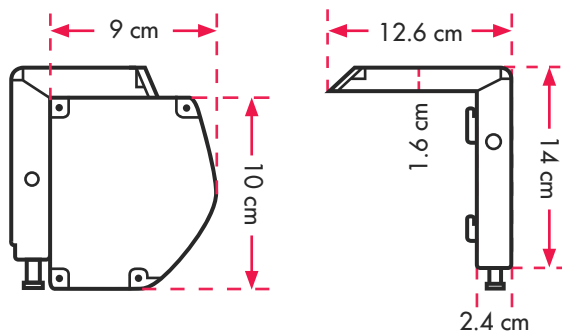
If you're looking for a projection screen that doesn't break the bank and offers tons of value then look no further than the R-electric.

Because if you're not willing to spend a fortune on a projection screen, yet still want something decent, there aren't many options.

You can get the old-school octagonal-cased projection screens that have been available since movies were still in black and white. With motors and roller tubes (you know the tube onto which the fabric is rolled up) that leave you wanting.

This old-fashioned style of screen forces you to use the exact pre-determined fixation points that make installation anything but a breeze.

But this need not be. **The R-series** virtually stretches your budget by offering you **bags full of options that are otherwise reserved to top projection screens only.**



▲ Case cross section and mounting bracket dimensions

Just have a look at this and see why the R-series, pound-for-pound offers you more than your average electrical screen:

- An **aluminium housing** that gives you the freedom to place the brackets where YOU want. No longer are you restricted to what is allowed by the end caps.
- The **2.5 mm thick steel RI (rapid installation) brackets** make sure you can have your hands free during the installation. Hook the screen in and you have your hands free. Only then do you need to tighten the screws to lock it into position.
- **The design turns the installation into a one man job.** Cutting your installation efforts in half (and making you look like a pro at the same time)
- This projection screen can be **hung from the wall, fixed to the ceiling or even hang from a chain.** So no matter how challenging your room is, the R-series will fit.
- **The wall and ceiling bracket, screws and the special connector for free-hanging installations are all included.** So don't worry about a rush drive to your local DIY store, everything you need is included.

▼ R-series 10030 installed in a congress hall in Belgium



**BUT THAT'S NOT ALL, YOU ALSO GET:**

- A **1.0 gain matt white fabric** with a wide viewing angle that turns every seat into a first class one.
- **5 cm black borders all around** the projection area, giving the projected image more punch
- A **pre-installed power cord** that eliminates the need for an electrician. This drives down the cost of the installation and keeps cash in your pocket.
- A **motor with thermal protection** that keeps your motor safe from damage. Backed up by a 5 year guarantee
- **Packaging that you only need to look at to know you've got a quality product.** The inner foam padding, the sturdy carton box, the safety clearance zone and the outside corner reinforcements all work together to avoid disappointment from a damaged screen at delivery.
- **Compatibility with the complete range of control options.**

▼ Item specifications

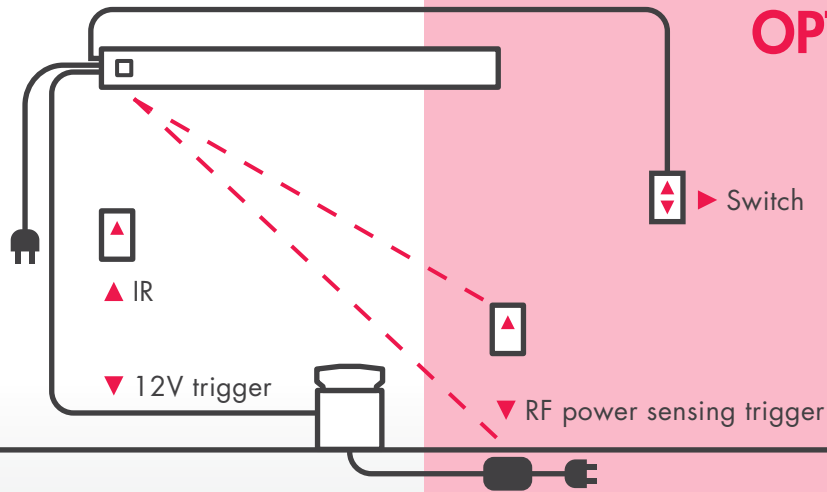
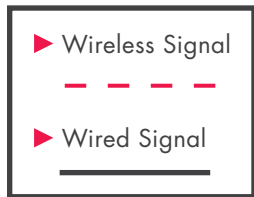
Item #	Aspect ratio	Viewing size width	Viewable height	Diagonal	Case width	Side borders	Top border
10027	4:3	171	128	214	201	5	40
10028	4:3	203	152	254	233	5	40
10029	4:3	234	175	292	264	5	5
10030	4:3	305	229	381	336	5	5
10244	16:9	171	97	197	201	5	40
10245	16:9	203	115	233	233	5	40
10246	16:9	234	133	269	264	5	40
10560	16:9	267	150	305	296	5	40

All dimensions are in cm.

▼ Residential installation in the UK



## INCLUDED



## OPTIONS



▲ Power sensing Trigger



▲ Switch



▲ RF remote control

### CUSTOM OPTIONS:

- Matt finish in a color of choice (extra charge)
- High gloss finish in a color of choice (extra charge)
- Custom sizes (2 to 8 week lead time)

### INCLUDED WITH THE SCREEN ARE:

- Integrated IR receiver
- IR remote control
- Integrated 12V trigger receiver
- 10 meter (33 ft) trigger cable with prefitted jacks
- Wall and ceiling mount brackets
- Connectors to hang the screen from wires
- Screws and plugs to fix the brackets to the wall or ceiling

### ALL SCREENS COME WITH THE FOLLOWING SPECIFICATIONS:

- Motor located on the left
- Screen rolls out from the back of the case
- White housing
- Plug-and-play cable (pre-fitted power plug)
- Fast motor (3Nm / 30 RPM)
- 2 year guarantee on the screen
- 5 year guarantee on the motor
- Matt white fabric with black back and 1.0 gain

### AVAILABLE ACCESSORIES:

- RF receiver
- RF power sensing trigger
- RF Power sensing unit for projector
- Plug and play wired switch

# BEAMAX

info@beamax.com  
Tel: +32-11403090  
+32-11403090  
Fax: +32-11403892  
UK Phone: 0845-5280096